

# INQUIRY SHEET FOR SPIRAL SYSTEM



TORFS Machineconstructie bvba  
 TORFS Engineering bvba  
 Bosstraat 46  
 B-2861 O.L.V.-Waver  
 Tel. +32-15-76 76 20  
 Fax +32-15-75 44 47

Date .....  
 Name .....  
 Contact person .....  
 Name user .....  
 Address user .....

**Configuration**    new        retrofit      
                           up-going        down-going      
                           bi-directional   

**Product**

raw     container     pan   
 product size    L = .....    W = .....    H = ..... mm  
 product output units per ..... (time)  
 product weight ..... kg/m  
 process    freezer     proofer     cooler     other .....

belt length ..... m  
 belt width ..... mm  
 belt speed ..... m/min  
 outside radius ..... m  
 up-go     down-go   
 length ..... m

operating temperature ..... °C  
 dwell time / buffer time ..... min.

**Cage bar**

material .....  
 spacing ..... mm  
 steel drum

**Support**

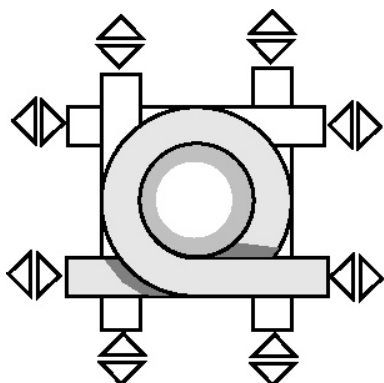
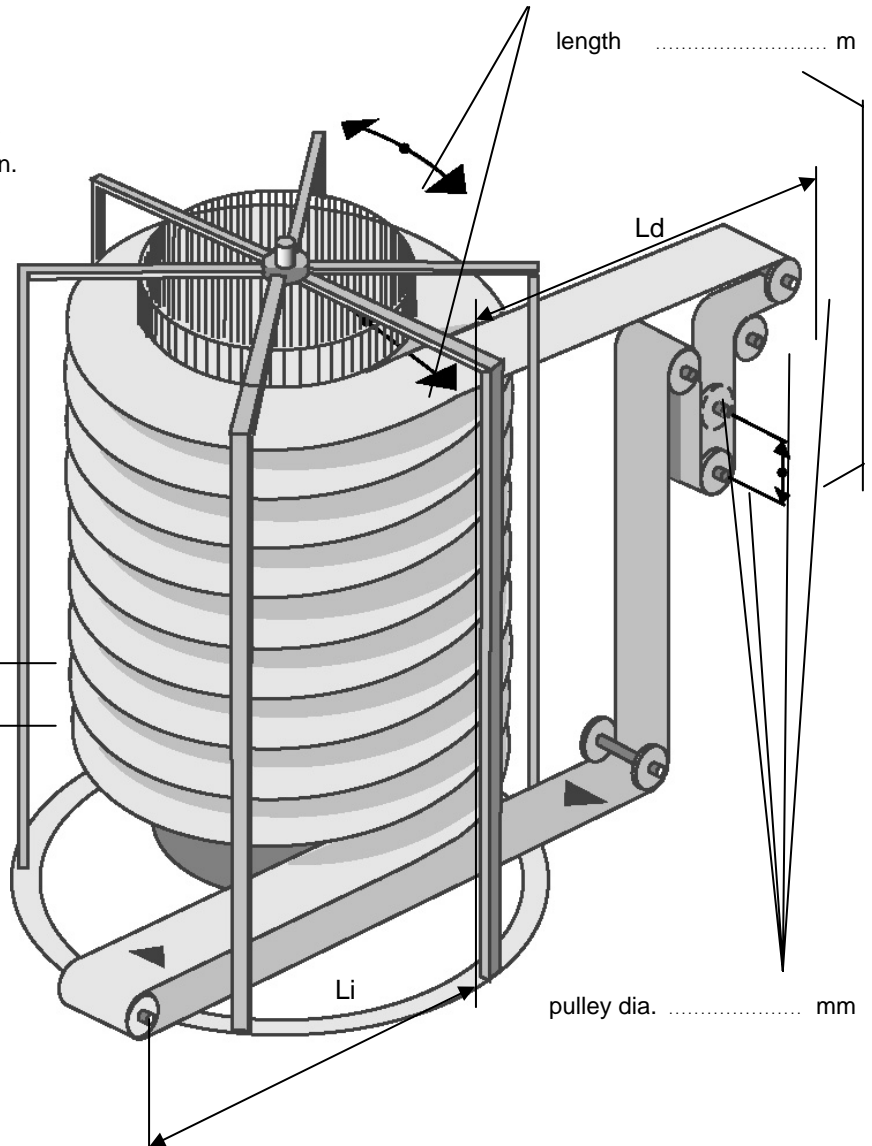
number .....  
 material .....  
 spacing ..... mm

**Tiers**

number .....  
 spacing ..... mm

**infeed**

length Li ..... mm  
 discharge  
 length Ld ..... mm



**Spiral configuration**

(Fill two arrows to indicate infeed and discharge side)

**Take-up**

single     double   
 weight ..... kg